

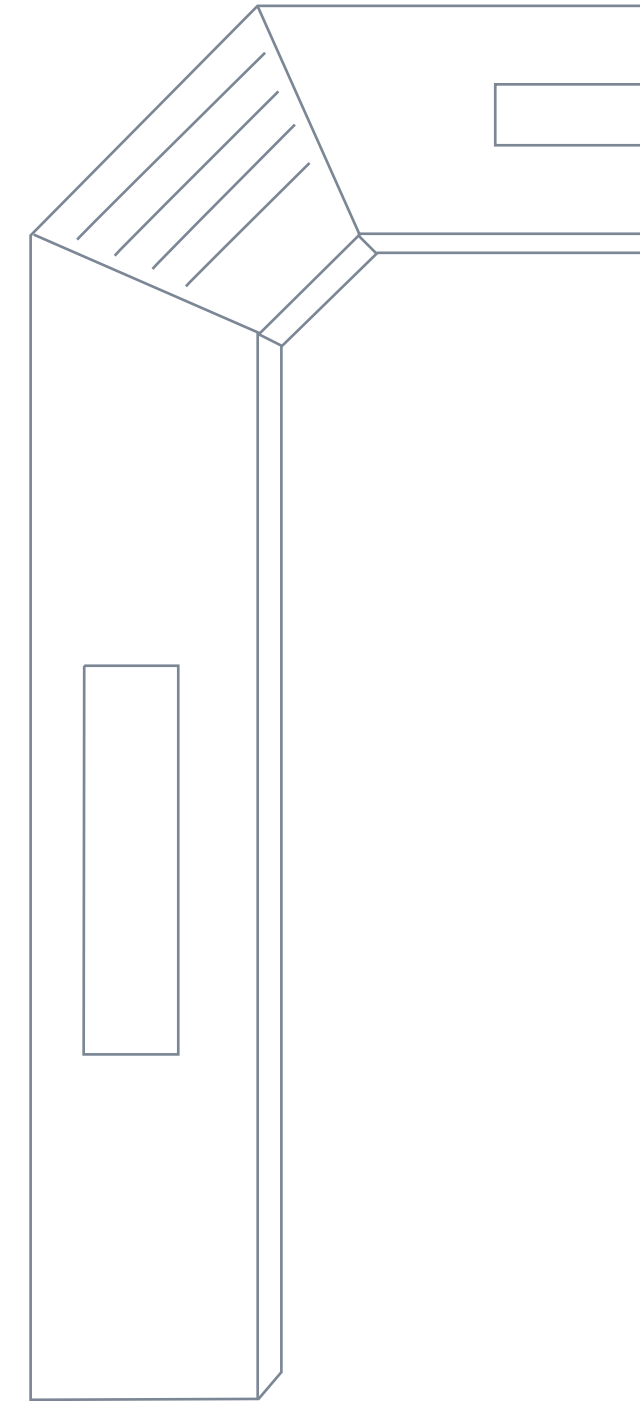
ISTOBAL

T'WASH30

Updated with the **latest control technology**, ISTOBAL T'WASH30 is a state-of-the-art tunnel that ensures maximum efficiency and performance for the car wash business. With high technology and a cutting-edge design, ISTOBAL T'WASH30 caters for great many features and optional extras, making the most of space thanks to its high **versatility and flexibility**.

Different modules, arches and brush types can be included for a perfect vehicle pre-wash, wash, polish and dry. ISTOBAL T'WASH30 is also fit for a high-pressure wash either as a full service or just for wheels and can perform an underchassis wash and a rain-effect rinse or incorporate an Infinite Mousse arch, given the wide range of optional extras. **Technology** and **innovation** for a totally effective wash with a high throughput and with mechanical reliability.

Top performance technology



V.07/2018



ISTOBAL T'WASH30
Top performance technology

ENTRY ARCH



Innovative entry arch with a cutting-edge design and LED lights for wash instructions. The tunnel can also include a set of indoor lights for a spectacular car wash experience.

PLC



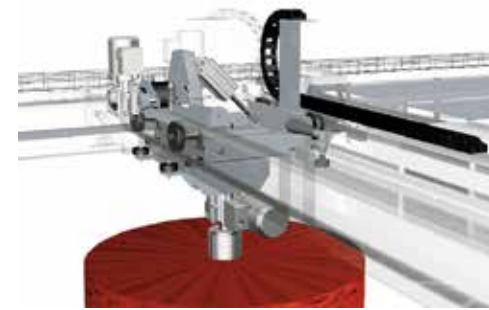
Total centralised tunnel control thanks to the new Siemens PLC. ET200SP-F PN, with huge capacity, a high processing speed and native Profinet connectivity. A 7" touch-screen with new icons facilitates control over all optional extras.

FREQUENCY CONVERTERS



Frequency converters contribute to improved brush and dryer control, maximizing efficiency in energy and water use and reducing noise.

DRIVE-AWAY SAFETY SYSTEM



Maximum safety is ensured in the ISTOBAL T'WASH30 tunnel thanks to the Drive-away system. Vertical brushes are cylinder-controlled: the PLC is informed if excessive pressure is detected by the cylinders, causing the brushes to open and allowing the vehicle to go through.

TRAVEL SYSTEM

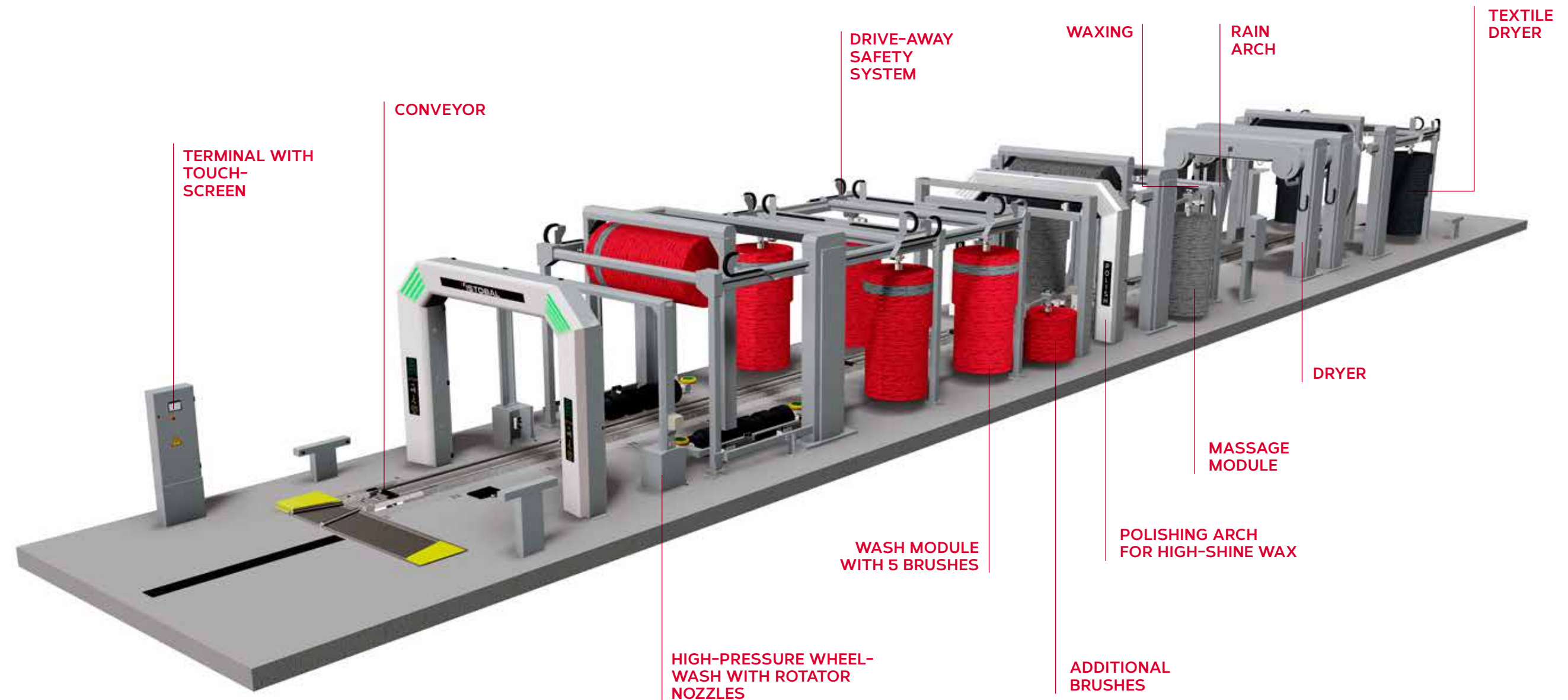


The horizontal brush of the new tunnel is equipped with a travel system that improves the wash of the vehicle rear, with optimum results in the most difficult areas and profiles of the vehicle.

HIGH-EFFICIENCY DRY



IE3 motors with power levels from 8 to 30 kW add to energy efficiency in the drying step. The horizontal nozzle with its unique three-position design offers an exceptional dry quality with any type of vehicle. 100% textile and non-drip, the Link-dry brush completes the drying process and improves the polish.



Maximum throughput, minimum space

The new ISTOBAL T'WASH30 tunnel is available with different lengths: from 12.5 to 32 metres, and can wash and dry up to 60 vehicles per hour with the three-brush module and up to 80 with the five-brush module, depending on its length and washing rates.

Its many possible set-ups and lengths, together with a wide choice of optional extras and systems for the specific wash of critical areas, facilitate tunnel customization with a perfect balance between quality and throughput. All this is ensured by highly resistant mechanical parts that guarantee a continuous and highly effective operation.